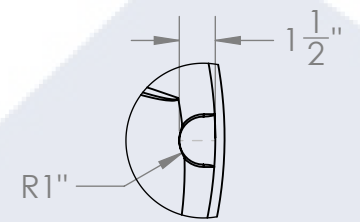
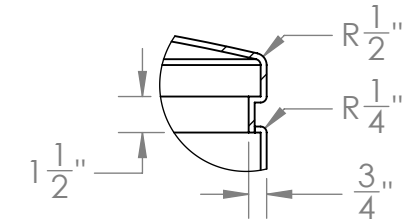


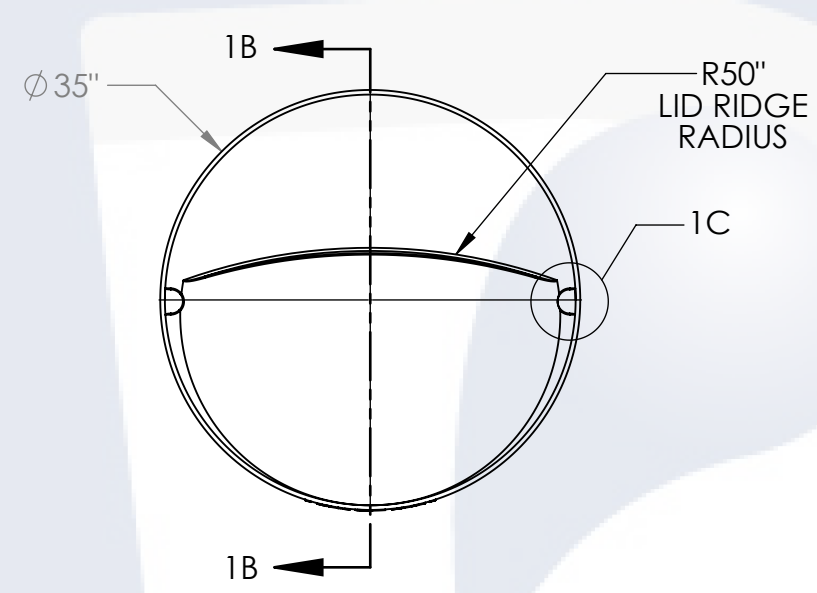
**ISOMETRIC VIEW
(FRONT)**



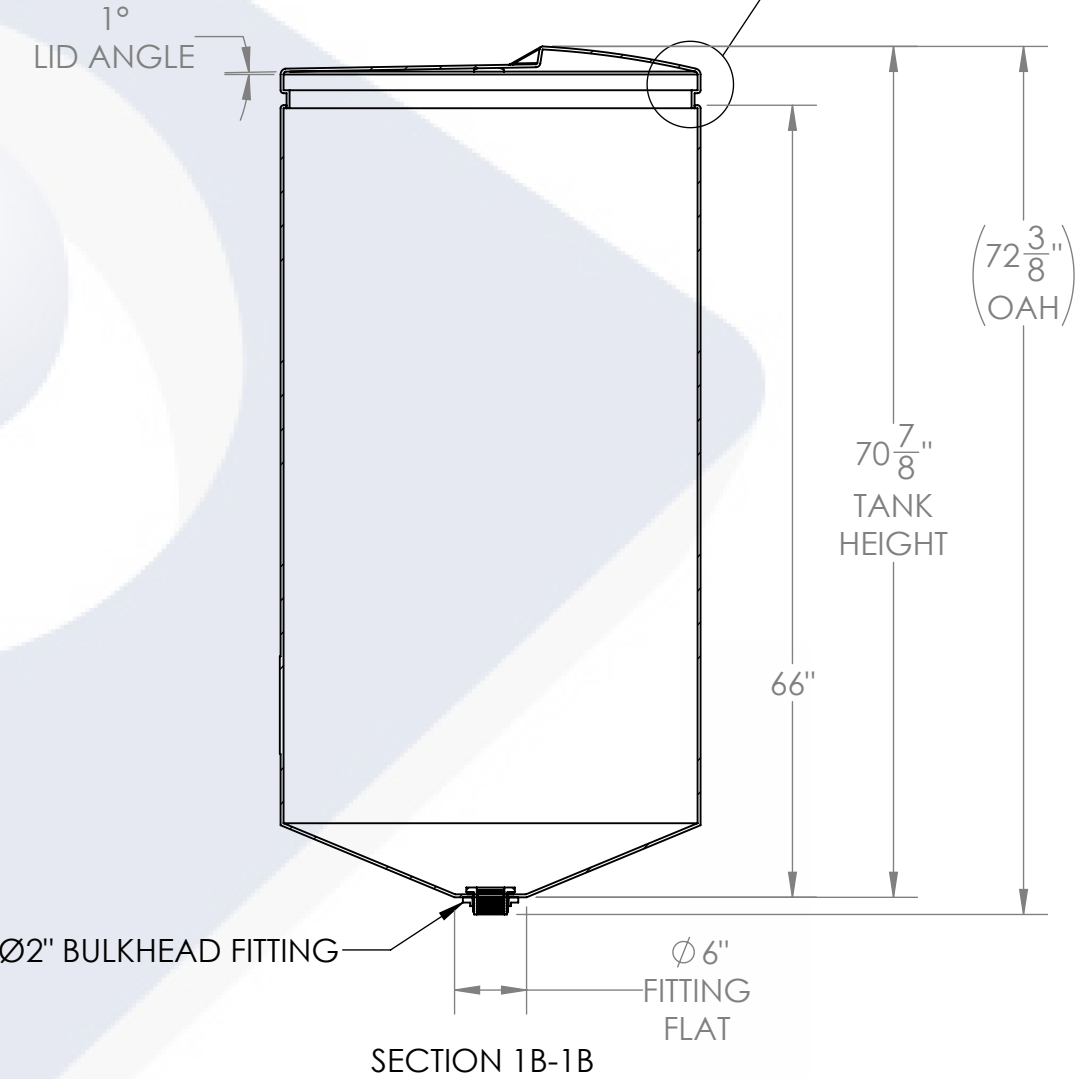
**DETAIL 1C
SCALE 1 : 8**



**DETAIL 1A
SCALE 1 : 8**



PLAN VIEW



SECTION 1B-1B

- NOTES:**
1. CAPACITY: 250 GAL. NOMINAL
 2. TANK MATERIAL: MDPE
 3. SERVICE PRESSURE: ATMOSPHERIC
 4. NSF/ANSI STANDARD 61 CERTIFIED

PROPRIETARY AND CONFIDENTIAL
THE INFORMATION CONTAINED IN THIS DRAWING IS THE SOLE PROPERTY OF PEABODY ENGINEERING. ANY REPRODUCTION IN PART OR AS A WHOLE WITHOUT THE WRITTEN PERMISSION OF PEABODY ENGINEERING IS PROHIBITED.

UNLESS OTHERWISE SPECIFIED:
DIMENSIONS ARE IN INCHES
TOLERANCES: ±1/4"
ANGULAR: ± .5°
ONE PLACE DECIMAL: ± .25
TWO PLACE DECIMAL: ± .125
THREE PLACE DECIMAL: ± .063

TANK MATERIAL: -
INNER TANK S/N:
OUTER TANK S/N:
CUSTOMER PO#

DO NOT SCALE DRAWING

	NAME	DATE
DRAWN	SMF	03/01/23
CHECKED		
ENG APPR.		
MFG APPR.		
Q.A.		



PROJECT: **PROCHEM® TANKS**
CUSTOMER: **PEABODY STANDARD**
SITE/LOCATION: -
SALES ORDER: -

SIZE	DESC.	REV.
B	250GAL CONE BOTTOM TANK	B

SCALE: 1:16 SHEET 1 OF 1